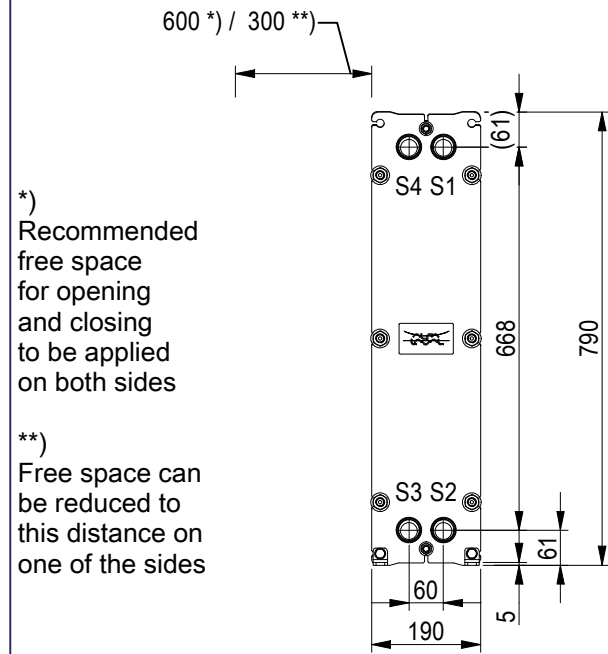


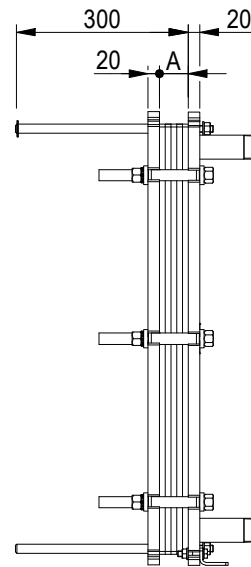
**FRAME PLATE**



\*) Recommended free space for opening and closing to be applied on both sides

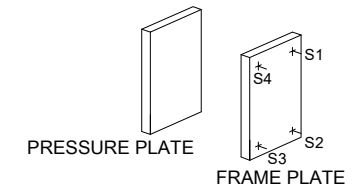
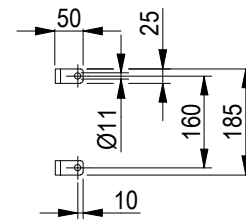
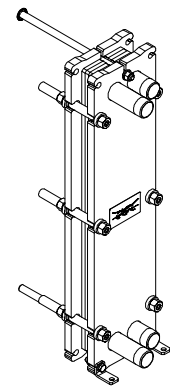
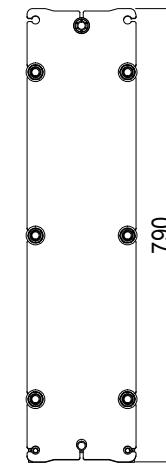
\*\*) Free space can be reduced to this distance on one of the sides

Space between pressure plate and supporting column should be kept free from fixed installations!



**PRESSURE PLATE**

(MOVABLE)

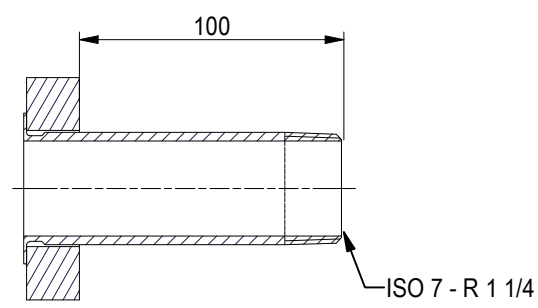
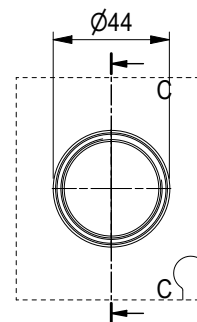
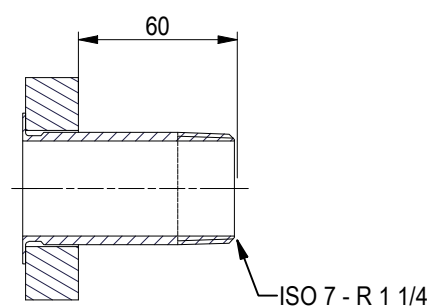
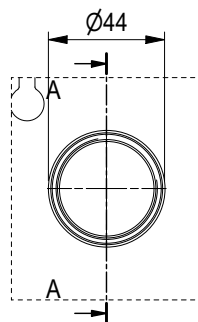


ISO 7 - R 1 1/4, ALLOY 316, 80 mm  
S1, S2

A-A:

ISO 7 - R 1 1/4, ALLOY 316, 120 mm  
S3, S4

C-C:



All dimensions in millimeters (mm)

NO. OF UNITS

1

**APPROX. OUTER DIMENSIONS**

LENGTH 310 mm  
WIDTH 200 mm  
HEIGHT 800 mm

**APPROX. WEIGHTS**

NET WEIGHT, EMPTY 48.0 kg  
WEIGHT FULL OF WATER 51.8 kg

PLATE MATERIAL ALLOY 316  
PLATE THICKNESS 0.5 mm  
GASKET NBRP Clip-on

CHANNEL ARRANGEMENT 1\*14 ML  
/ 1\*15 MH

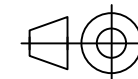


www.alfalaval.com

DRAWING  
GASKETED PLATE HEAT EXCHANGER

**TL3-BFG**

PED Article 4.3



8240123417

Do not use this drawing for foundation bolting or piping layout

DATE 2/25/22  
REVISION 0